

ENICO

E COOLER

INDUSTRIAL AIR CONDITIONERS

BASIC DATA SHEET



BASIC INFORMATION

Usability

Optimal for all containerized solutions where efficient cooling and hot/cold aisles are required.

- Battery Energy Storages (BESS)
- Mobile/containerized Data centers
- Containerized electric distribution units
- Containerized UPS solutions

Unit Dimensions

1 600 x 710 x 2 430 mm (all models)

Ambient / storage temperature

-30...+40 °C

Cooling capacities per model

Ecooler W35: 35 kW (10 ton)
Ecooler W40: 44 kW (12,5 ton)
Ecooler W50: 50 kW (15 ton)
Ecooler W70: 70 kW (20 ton)

Target Temperature

Temperature inside the container: +20...+27 °C

Heating capacity

Heating capacity from 7 kW to 18 kW.
Customer specific solutions available

Refrigerant

R134

Compressors

Reliable scroll compressor technology by Bitzer
Single and double compressor solutions available.

Cooling Air volume

Ecooler W35: 9 800 m³/h (fp @400Pa), Max. 11 680 m³/h (fp @0Pa)
Ecooler W40: 9 800 m³/h (fp @400Pa), Max. 11 680 m³/h (fp @0Pa)
Ecooler W50: 9 800 m³/h (fp @400Pa), Max. 11 680 m³/h (fp @0Pa)
Ecooler W70: 10 655 m³/h (fp @300Pa), Max. 12 780 m³/h (fp @0Pa)

Electricity / Operating Voltage

400 VAC / 50 Hz

Options by request:

220–220 VAC / 50 Hz, 460 VAC / 60 Hz, 575 VAC / 60 HZ,

380 VAC / 60 HZ and 200–230 VAC / 60 Hz.

All models are AC 3 phase.

Control unit

Stand alone compact control unit with 5" HMI interface with highly advanced control software and functions.

Option: Can be connected to customers main control system.

Mounting interface

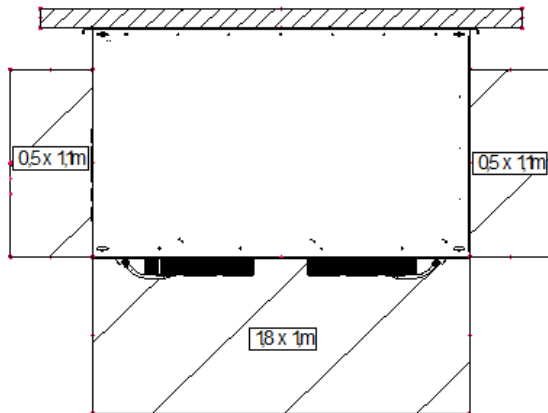
On the corner posts of the container + fitting with bolts to container frame

BASIC OPERATION PRINCIPLE

Ecooler is used for cooling heat sources in container. Heat load in container can vary or it can be switched of. Ecooler maintains constant suction air temperature (warm air from container) as device blowing air (cold air to container) when temperature varies.

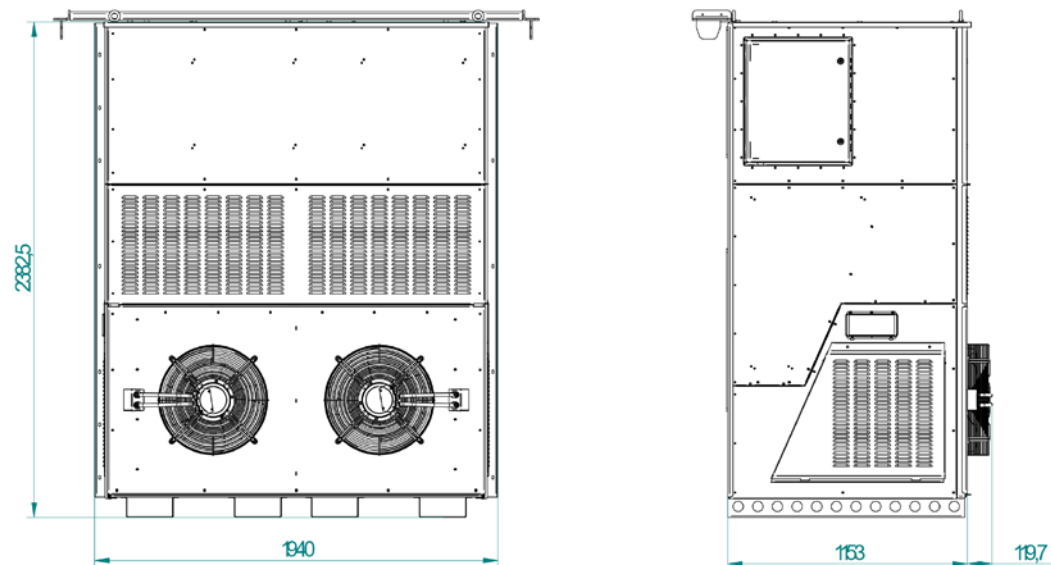


CLEARANCES AROUND UNIT



DIMENSIONS

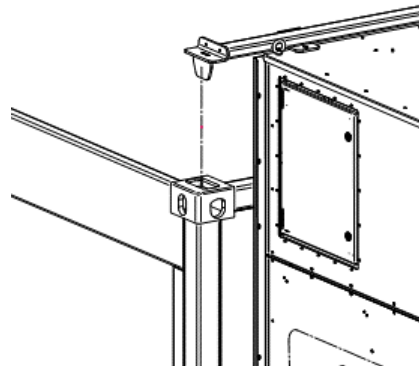
(ALL UNITS)



MECHANICAL INSTALLATION MADE EASY

Installation of the Ecooler has been made particularly easy.

The device attaches to the corner posts of the container with the help of a special Lift n' lock mounting bracket, which locks the device naturally against the container wall.



Unique Lift n' Lock assembly bracket solution for quick and easy installation

CONTROLS AND DIAGNOSTICS

Advanced control architecture with compact HMI and extensive diagnostics

- IoT data collection for remote diagnostics, predictive maintenance and fleet management available.



STATEMENT FOR PLACE OF ORIGIN

RnD and design	Finland	Compressor	Germany
Manufacturing	Finland	Fans	Germany
Mechanical Chassis	Finland	Control PLC	Germany
Electrical	Finland	Refrigerant	EU*
Software and controls	Finland		

*Refrigerants made in the EU Region



ENICO OY

Tuotekatu 8
33840 Tampere, FINLAND

+358 10 2995 310
info@enico.fi

www.enico.fi